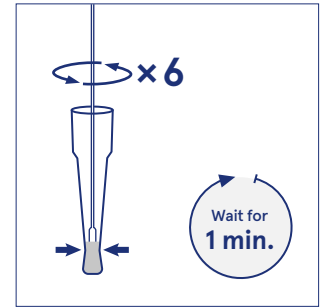
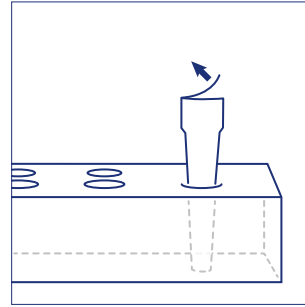
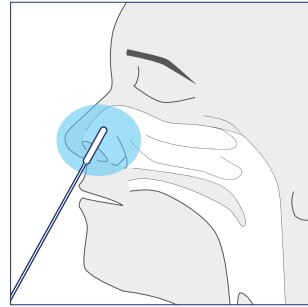
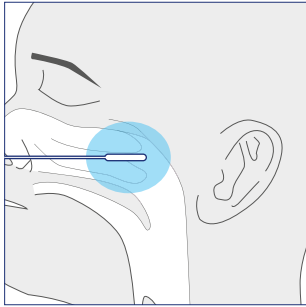


# Biosynex

## COVID-19 Ag BSS Rapid Test



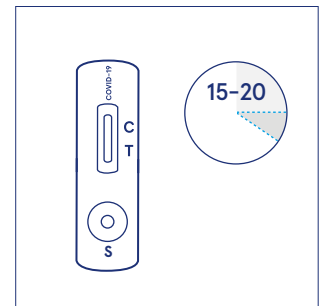
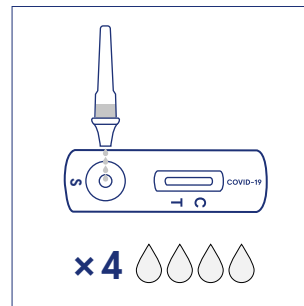
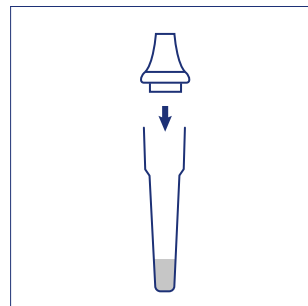
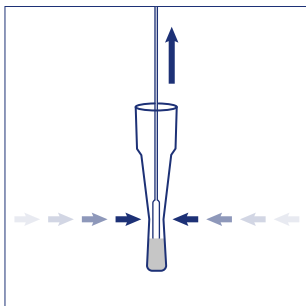
**1** The applicable specimen types are nasopharyngeal and nasal swabs.

**Nasopharyngeal swab:** Insert the swab horizontally into the nostril reaching the surface of posterior nasopharynx. Swab the surface. Rotate the swab several times. Withdraw.

**Nasal swab:** Insert the swab into one nostril, up to 2-4 cm until resistance is met. Roll the swab 5 times along the mucosa inside the nostril to ensure proper sampling. Using the same swab, repeat for the other nostril. Withdraw.

**2** Insert the prefilled extraction tube into the workstation. Make sure that the tube is standing firm and reaches the bottom of the workstation. Open the aluminum foil of the prefilled extraction tube

**3** Insert the swab into the extraction buffer tube and roll it minimum 6 times pressing it against the extraction tube. Leave the swab in the tube for 1 minute.



**4** Remove the swab while squeezing the sides of the tube **several times** to fully extract the sample from the swab, especially in the case of viscous samples. Remove the swab. Dispose of the swab according to local instructions.

**5** Insert the nozzle on to the sample extraction tube.

**6** Add 4 drops of test sample into the test device sample window (S) by squeezing the sample extraction tube.

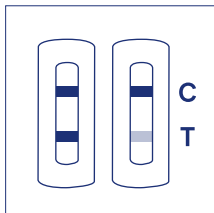
**7** **Read the results at 15 minutes.** Do not read after 20 minutes.

Please consult the instructions for use before performing the test.

# Biosynex

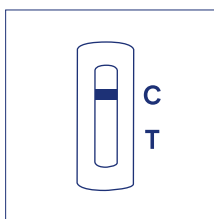
## COVID-19 Ag BSS Rapid Test

### Interpretation of the results



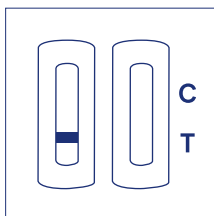
#### Positive result

The presence of two lines as control line (C) and test line (T) within the result window indicates a positive result.



#### Negative result

The presence of only control line (C) within the result window indicates a negative result.



#### Invalid result

If the control line (C) is not visible within the result window after performing the test, the result is considered invalid. Some possible causes of invalid results are not following the directions correctly or the test may have deteriorated beyond the expiration date. It is recommended that the specimen be re-tested using a new test.

### Cost-efficient and rapid detection of SARS-CoV-2 antigen from nasopharyngeal samples

#### Fast and flexible

- Results in 15 minutes

#### Excellent performance

- Nasopharyngeal swab relative **sensitivity 96%** and **specificity 100%**
- Nasal swab relative **sensitivity 97%** and **specificity 100%**

#### Ease of use

- Only **a few steps** from sample to result
- All necessary **reagents provided** in the kit, including the needed sampling swabs
- Room temperature storage (2–30°C)

#### Precautions

- Do not return the nasopharyngeal swab to the original paper packaging for transportation or storage.
- Allow the test cassette, specimen and buffer to reach room temperature (15–30°C) prior to testing.
- Swabs should be tested as soon as possible. If not possible, place the swab in a clean, unused tube labeled with the patient information and sealed tightly. The sample can be stored at 15–30°C for up to 1 hour or 3 hours at 2–8°C after sampling.

### Contact info / Finland

Aidian Oy

info@aidian.eu / +358 10 309 3000

For orders: orders@aidian.eu

www.aidian.eu

Product	Product no.	Order no.
Biosynex COVID-19 Ag BSS, 25 T	SW4000605	154700

For professional *in vitro* diagnostic use only.